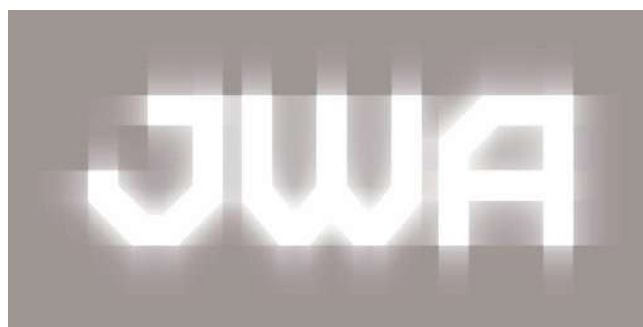
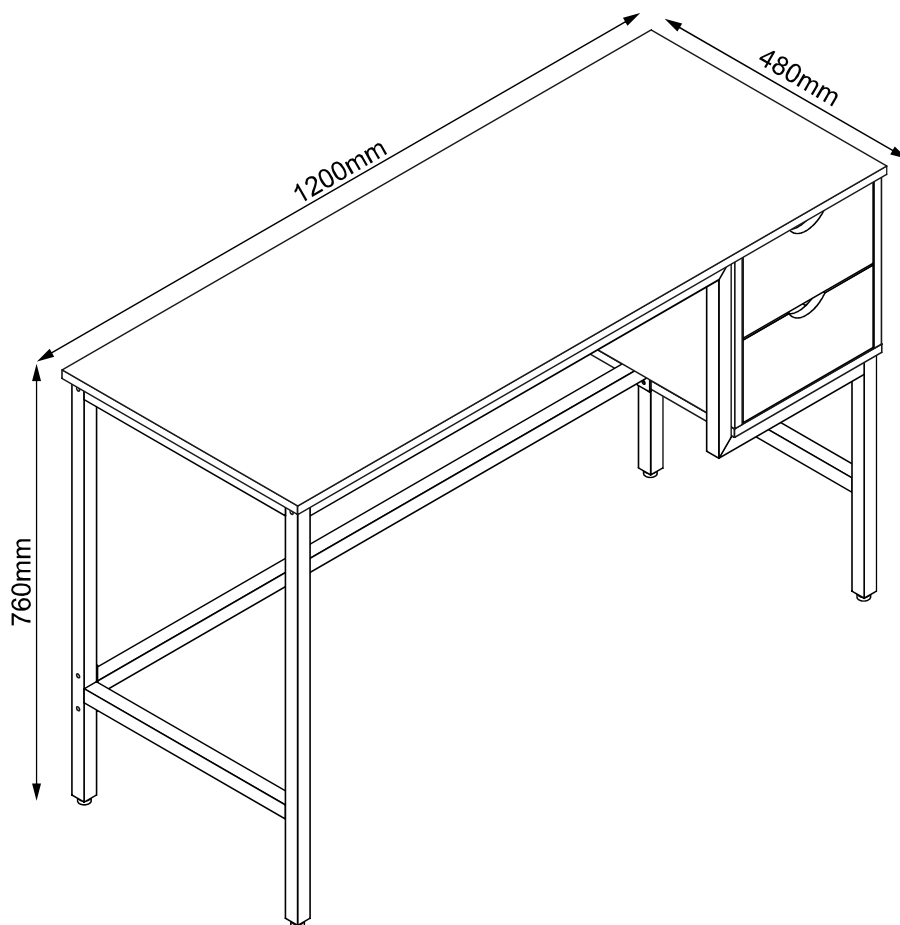


ASSEMBLY INSTRUCTION

BLACKPOOL

Desk

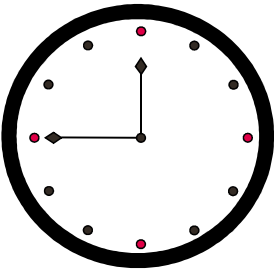
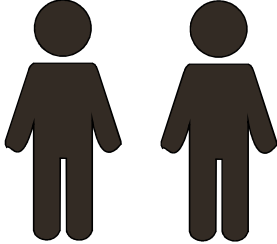
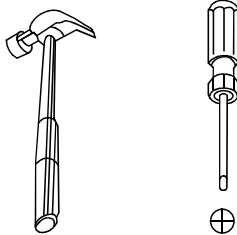
ITEM CODE 85531



PRE-ASSEMBLY PREPARATION

Before you start:

1. Choose a clean, level, spacious assembly area. Avoid hard surfaces that may damage the product
2. Take care when lifting. Product should be assembled as near as possible to the point of use
3. Ensure that you have all required contents for complete assembly
4. Always read the assembly instructions carefully before beginning assembly.
5. Keep all hardware parts and packaging out of reach of small children.
6. Do not over tighten the screws and bolts as this may damage the threads

		
Allow 45 min	For 2 person	Additional tools required

! WARNING

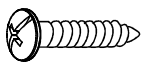
		<p>Children have died from furniture tipover.</p> <ul style="list-style-type: none">• ALWAYS secure it with an anchor device.• NEVER allow children to stand, climb or hang on drawers, doors, or shelves.• NEVER open more than one drawer at a time.• Place heavy items down low <p>NEVER put a TV on this furniture </p> <p style="color: red; font-size: small;">This is a permanent label. Do not remove!</p>
---	---	---

SAFETY BRACKETS INSTRUCTIONS

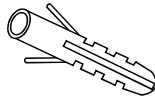
This furniture poses a tipping risk and as such must be secured to a wall using the provided tipping kit.

1. Attach one Mounting Plate to the wall with the Large Screws. Make sure to attach the Mounting Plate into a stud. If mounting into brick or masonry you will need to acquire wall anchors. Please enquire with your local hardware supplier for appropriate fixings.
2. Attach the second Mounting Plate to the furniture frame with the Short Screws.
3. Move the furniture to its final position. Thread a Wall Strap through the both Mounting Plates and tighten until snug. Do not over tighten.
4. Make sure that the Mounting Plates are firmly attached to the wall and furniture and that the Wall Strap is snug.

HARDWARE



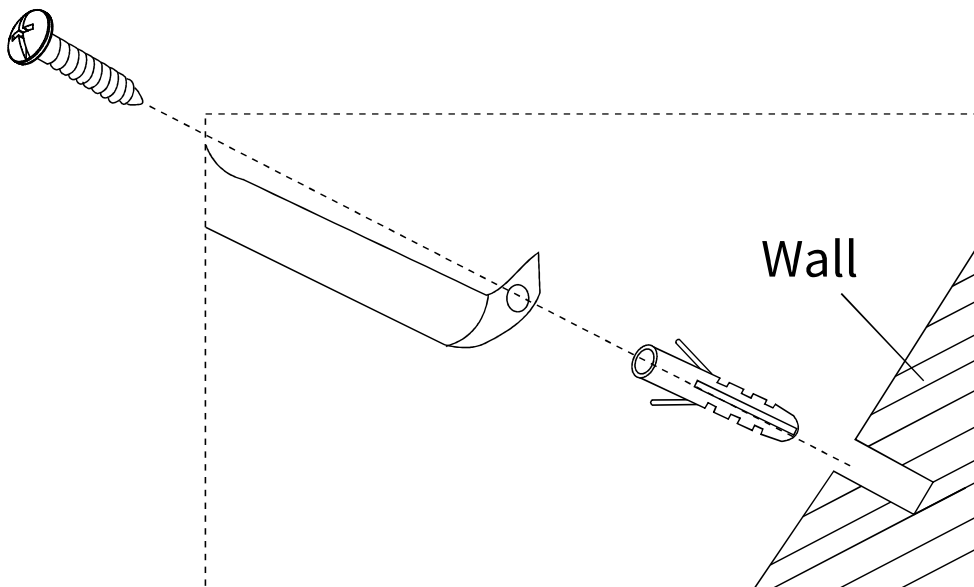
2pcs



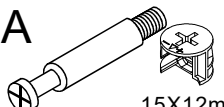




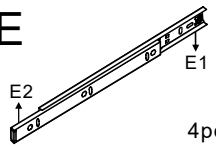




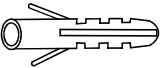

2pcs



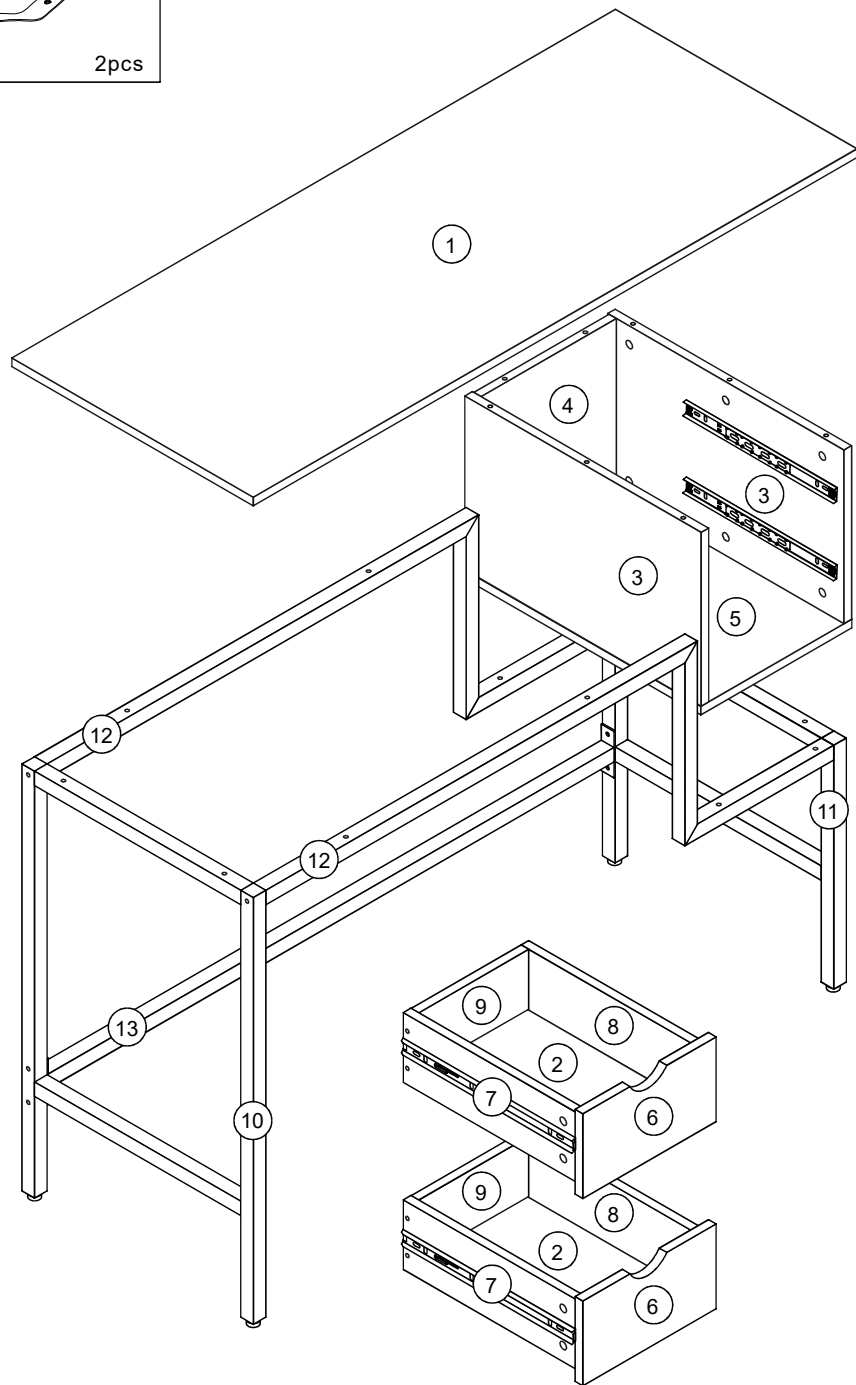
2pcs



PARTS LIST

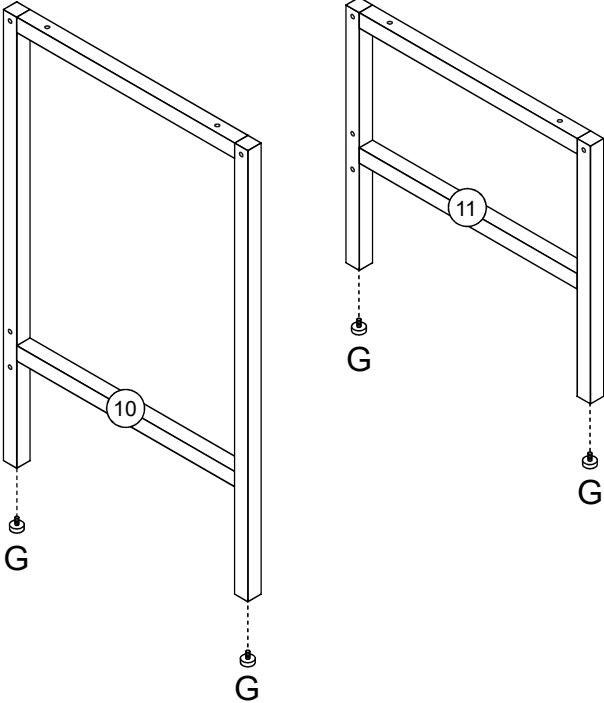
A  15X12mm 28pcs	B1  M6X35mm 16pcs	B2  M6X20mm 4pcs	C  ST3.5X12mm 26pcs	D  ST5X50mm 8pcs
E  4pcs	F  M6 4pcs	G  M8X20X10mm 4pcs	H  28pcs	I  ST4X25mm 2pcs
J  2pcs	K  2pcs			

1	Top panel
2	Drawer bottom panel
3	Side panel
4	Back panel
5	Bottom panel
6	Drawer front panel
7	Drawer left side panel
8	Drawer right side panel
9	Drawer back panel
10	Left main frame
11	Right main frame
12	Supporting frame
13	Connecting tube



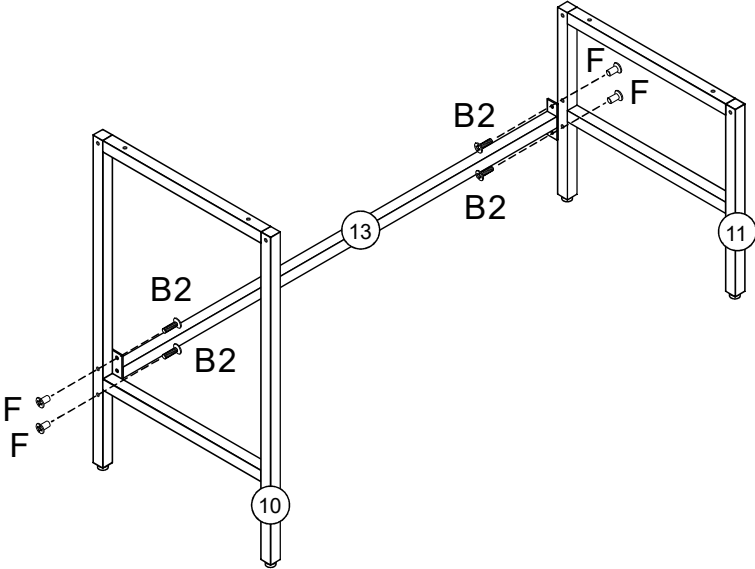
STEP 1:

1. Screw G to frame 10 and 11.



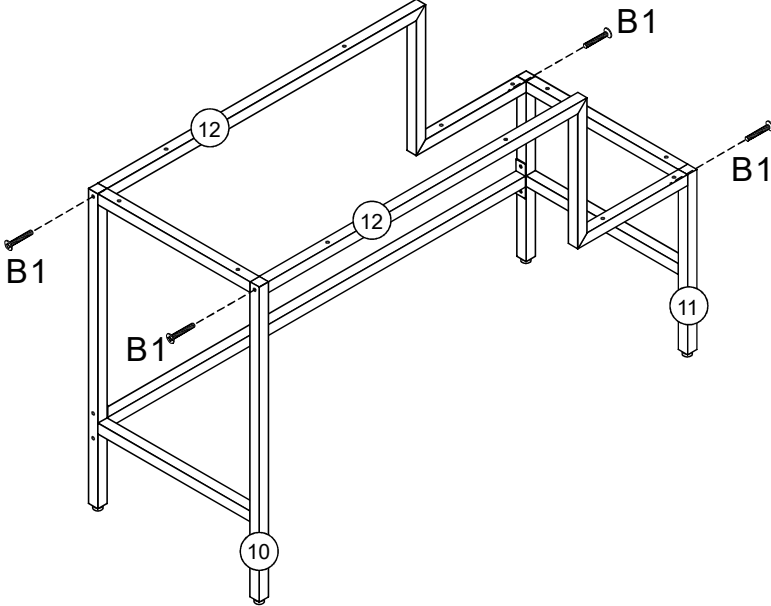
STEP 2:

1. Attach connecting tube 13 to main frame 10 and 11 with parts B2 and F.



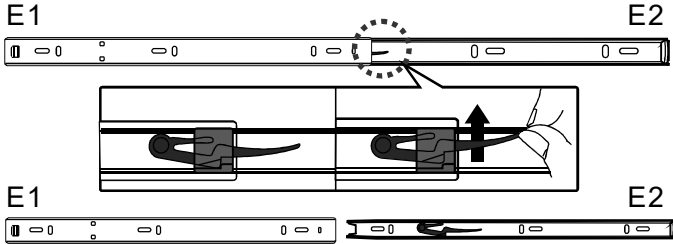
STEP 3:

1. Attach supporting tube 12 to main frame 10 and 11 with part B1.



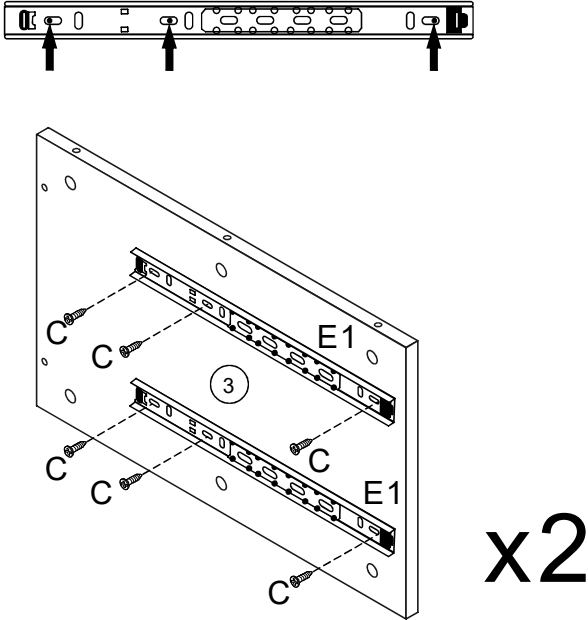
STEP 4:

1. Raise the plastic tab on the runners and separate E1 from E2.



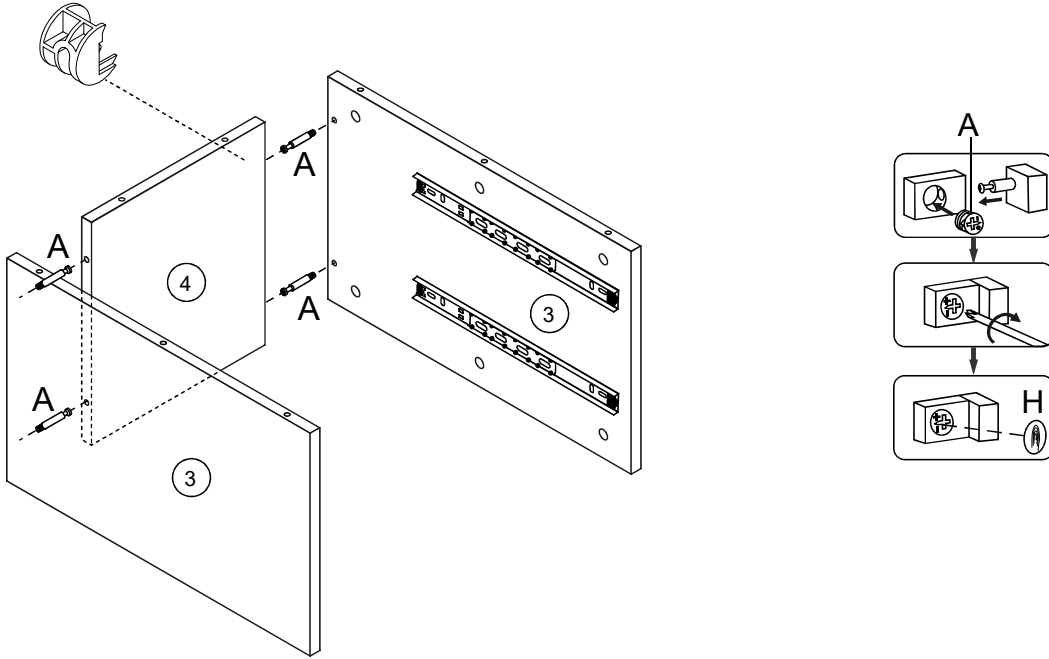
STEP 5:

1. Attach E1 to panel 3 with part C.



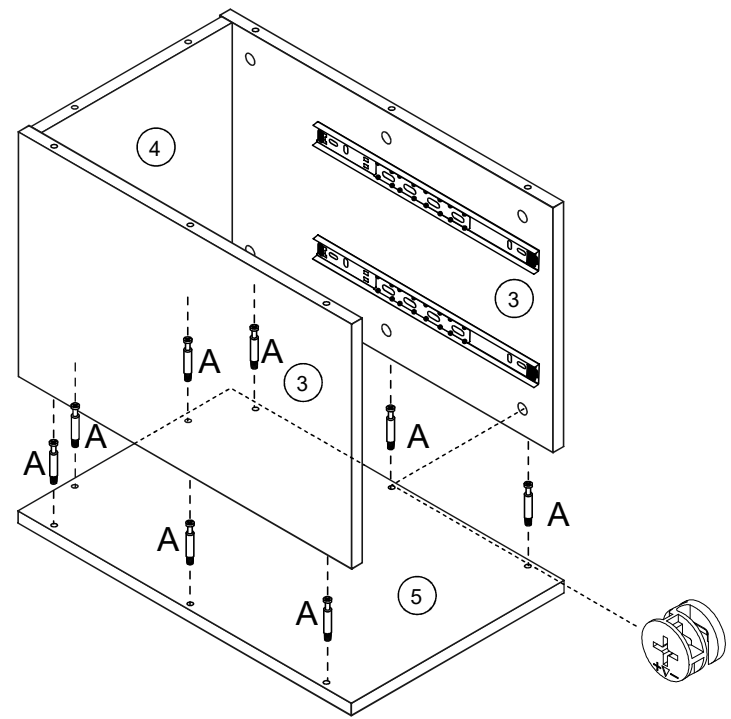
STEP 6:

- 1. Attach panel 3 to panel 4 with part A.
- 2. Place sticker H to cover assembled cam A.



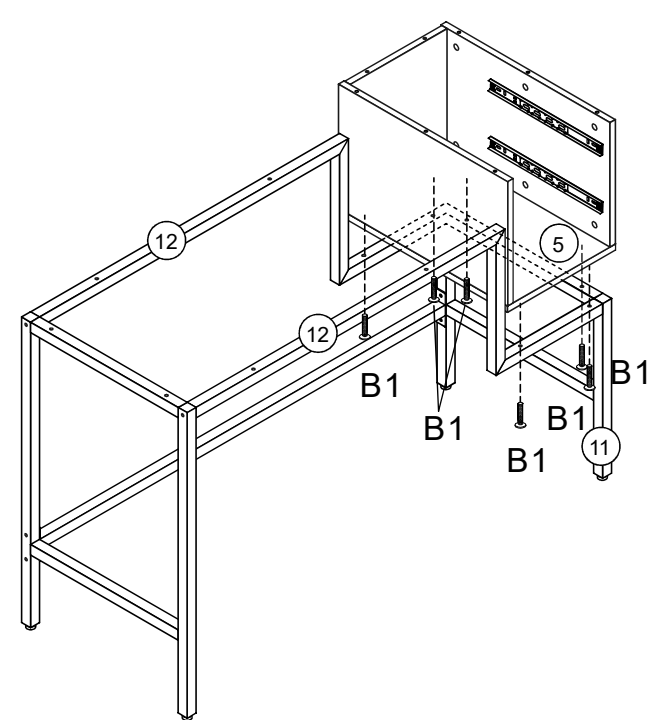
STEP 7:

1. Attach panel 5 to panel 3 and 4 with part A.
2. Place sticker H to cover assembled cam A.



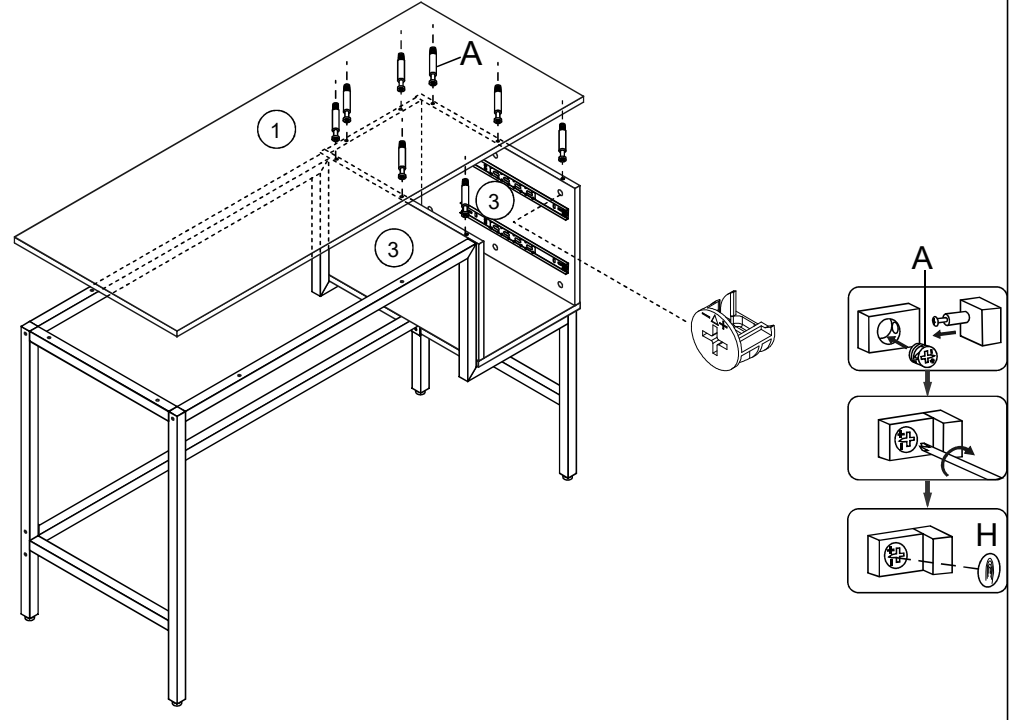
STEP 8:

1. Attach panel 5 to assembled frame with part B1.



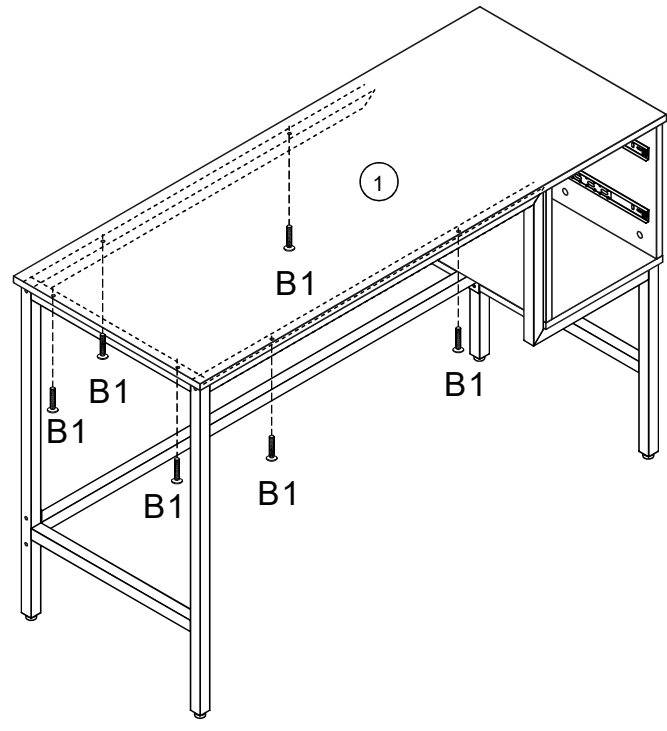
STEP 9:

- 1. Attach panel 1 to panel 3 with part A.
- 2. Place sticker H to cover assembled cam A.



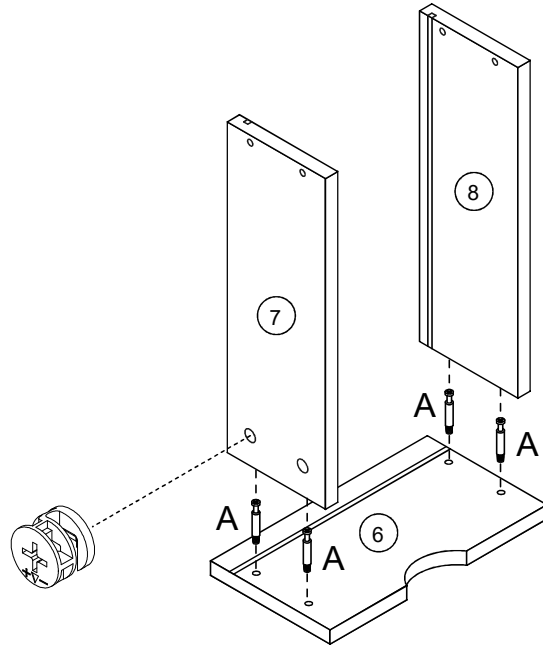
STEP 10:

- 1. Attach top panel 1 to frame with part B1.

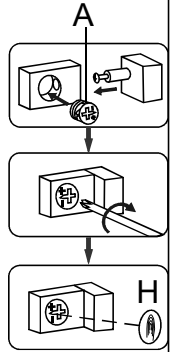


STEP 11:

1. Attach panel 7 and 8 to panel 6 with part A.
2. Place sticker H to cover assembled cam A.

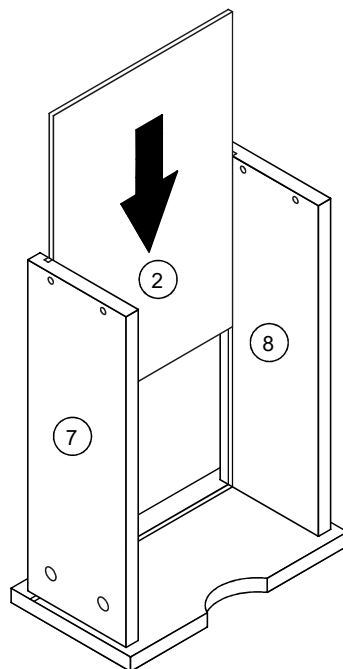


x2



STEP 12:

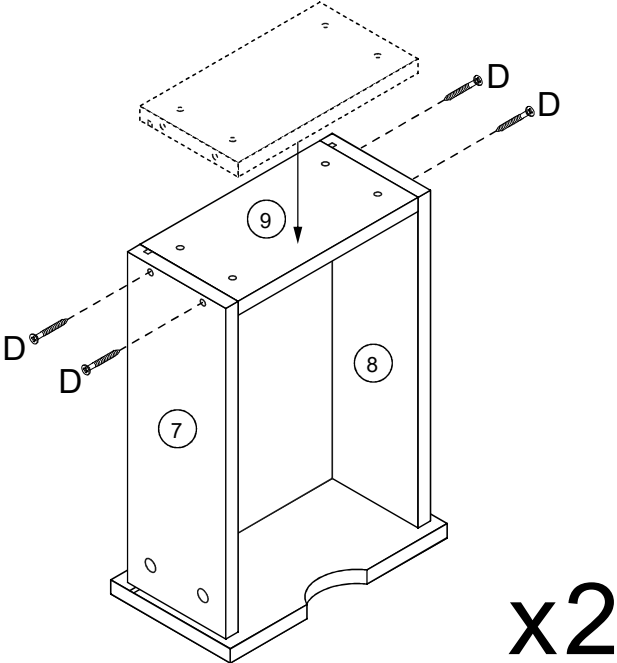
1. Slide panel 2 along slots of panel 7 and 8.



x2

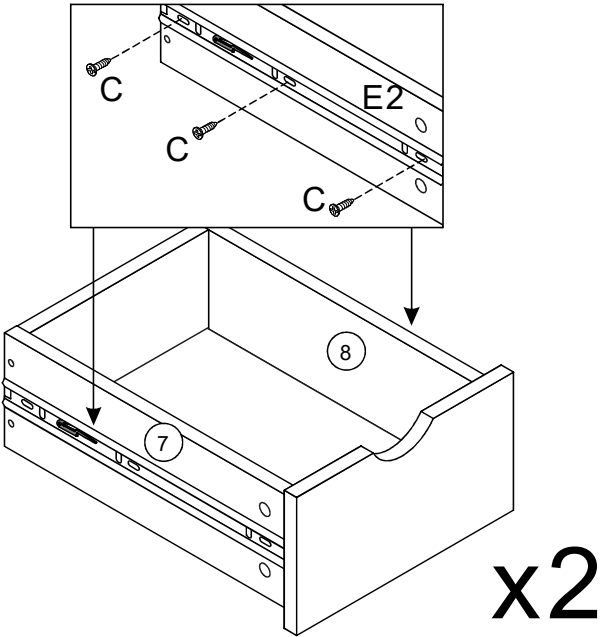
STEP 13:

1. Attach panel 9 to panel 7 and 8 by part D.



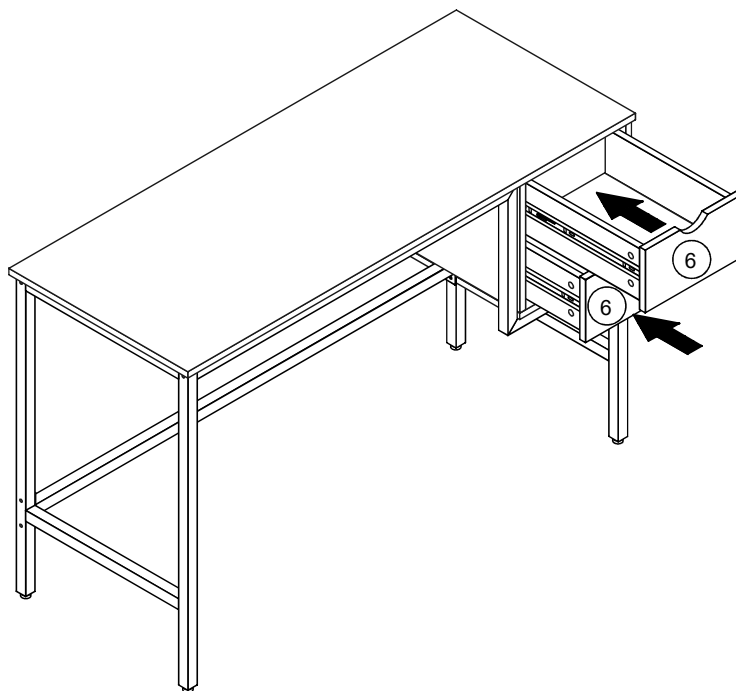
STEP 14:

1. Attach E2 to both sides of the drawer with part C.



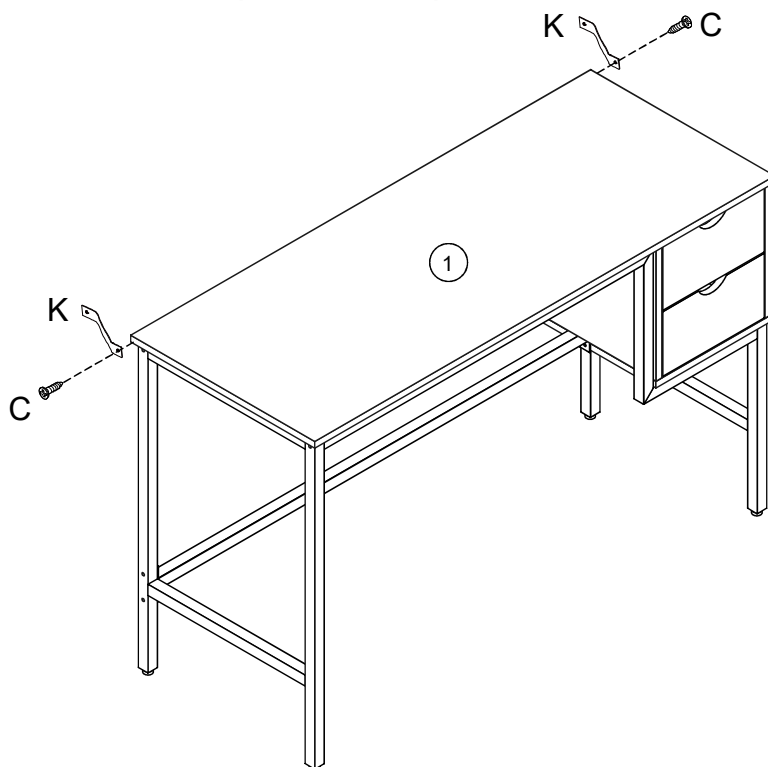
STEP 15:

1. Insert drawers 6.



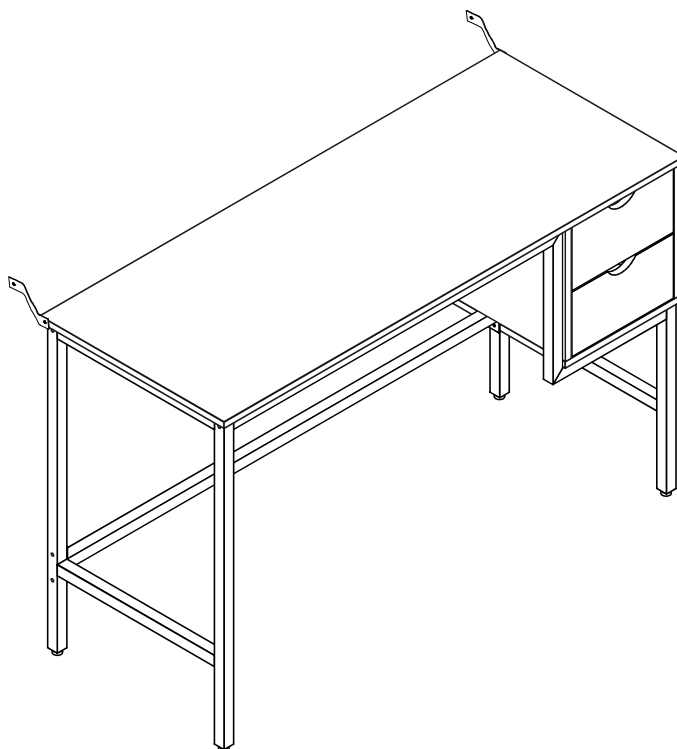
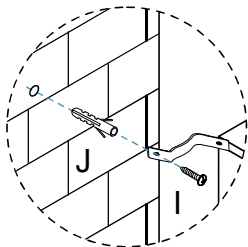
STEP 16:

1. Attach C to both sides of panel 1 with part C.



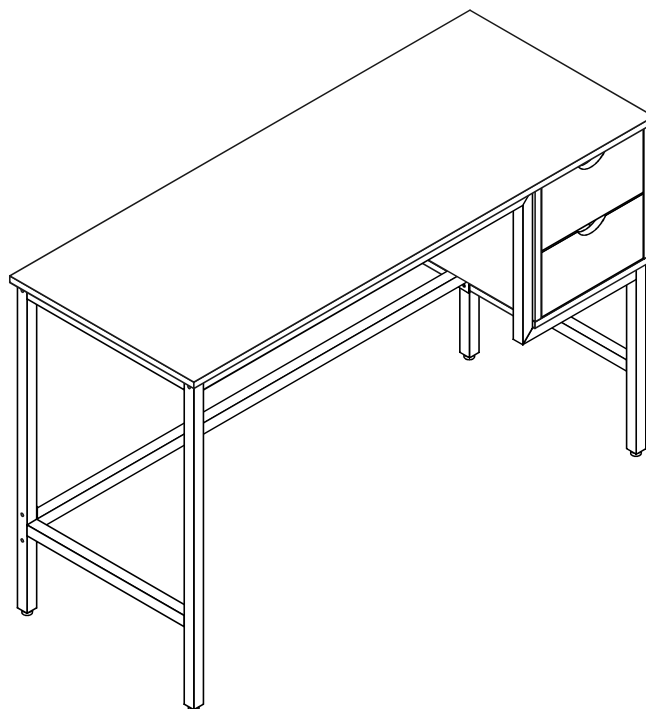
STEP 17:

1. Insert J to the wall. Attach K to J with part I.



STEP 18:

Assembly
complete!



To protect your furniture, we suggest the following:

- Avoid placing your furniture in direct sunlight.
- Do not place furniture directly under windows.
- Do not place sharp materials (knife, fork, etc.) directly onto your furniture as sharp material may scrape and damage the finish.
- Do not place material with high temperature directly onto the surface of your furniture.
- Clean up spills quickly. Water left over a prolonged period of time may cause damage. Alcohol, perfume, nail polishes, aftershave and some medication may cause severe finish damage if not cleaned immediately.
- Use a clean, soft, dry, lint free absorbent cloth to clean your furniture. Do not use any detergent as they may contain ingredients that may react and damage the finish.

NOTE: If the above care advise is not adhered to your product warranty may become void